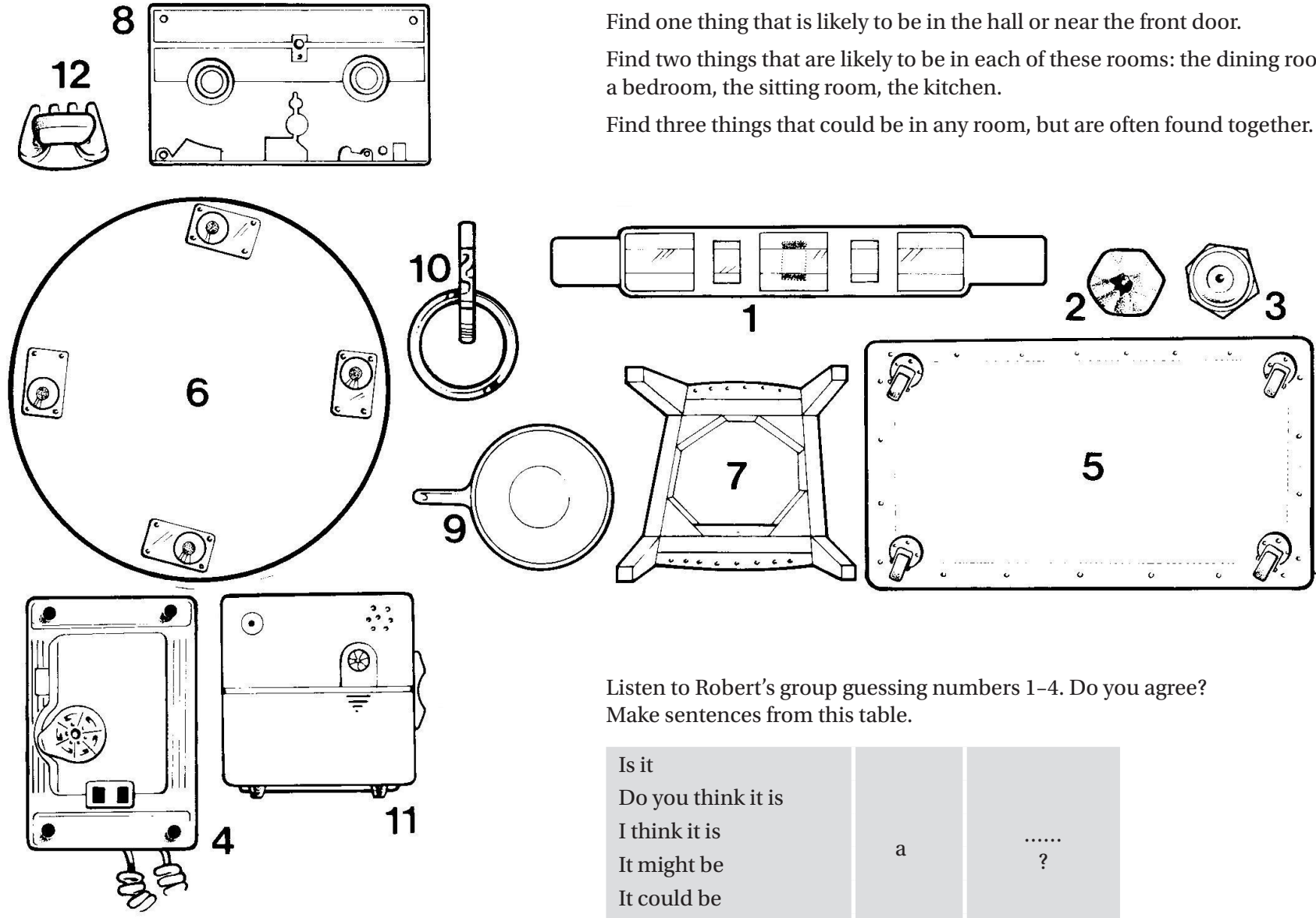


## What are these?



## Mystery pictures

These are all funny views of things you probably have at home. They are not all the right size. In real life, some are bigger, much bigger; some are smaller. What do you think they are?

Find one thing that is likely to be in the hall or near the front door.

Find two things that are likely to be in each of these rooms: the dining room, a bedroom, the sitting room, the kitchen.

Find three things that could be in any room, but are often found together.

Listen to Robert's group guessing numbers 1-4. Do you agree? Make sentences from this table.

Is it		
Do you think it is		
I think it is		
It might be	a	.....
It could be		?
It looks like		

## Language focus – useful words and negatives

Listen to the tapes again, or read the tapescripts. Fill in the spaces.

- a It looks like a \_\_\_\_\_ .
- b \_\_\_\_\_ quite .
- c \_\_\_\_\_ , \_\_\_\_\_ a cup .
- d \_\_\_\_\_ can guess? No.
- e Yes! \_\_\_\_\_ done!
- f What do you \_\_\_\_\_ that is?
- g \_\_\_\_\_ by the telephone.
- h I thought it was a sandwich maker, but it's \_\_\_\_\_ !
  
- i Quite a few pens and pencils, but you can \_\_\_\_\_ find them!
- j What about videos? Oh \_\_\_\_\_ many.
- k And audio cassettes? Oh lots! I've \_\_\_\_\_ idea how many!
- l ... keys in four of the doors – I \_\_\_\_\_ know, that makes ten.

Find eight phrases that are negative and practise them.

---

---

---

---

---

---

---

---

---

---